



Light Green	Medium Green	Light Green	Medium Green	Light Green	Medium Green
Medium Green	Light Green	White	Light Green	Medium Green	Light Green
Light Green	Medium Green	Medium Green	Medium Green	White	Medium Green
Medium Green	Medium Green	Light Green	White	Medium Green	Light Green
Medium Green	Medium Green	Medium Green	Medium Green	Light Green	Medium Green
Light Green	Medium Green	White	Medium Green	Medium Green	Medium Green
White	Medium Green	Medium Green	Medium Green	Medium Green	Medium Green
Medium Green	Medium Green	Light Green	White	Light Green	Medium Green
Medium Green	Medium Green	Medium Green	Light Green	Medium Green	Medium Green

Console systems

MPC

Console systems in mild steel, MPC



SPECIFICATIONS

Single door: IP66/NEMA 4, 12, 13
Double door: IP55/NEMA 12
Mild steel

Top Section

H: 500
W: 600 - 1600
D: 494

Desk

H: 250
W: 600-1600
D: 985

Base unit

H: 700
W: 600-1600
D: 500

Surface mounted doors and panels with extruded one-piece gaskets

Fully compatible with the stainless steel MPCS units, providing additional protection

Door may be either right or left hand opening.

Bottom gland plates included.

Removable rear panel retained by screws

Allows a versatile number of combinations to configure the system to your design



MPG

Console systems in mild steel, MPG

SPECIFICATIONS

Single door: IP66/NEMA 4, 12, 13

Double door: IP55/NEMA 12

Mild steel

H: 985

W: 600-1600

D: 400

Surface mounted doors and panels with extruded one-piece gaskets

Hinges are now front mounted outside the aperture to simplify re-hinging of the door even if the enclosure is fully equipped.

Integral handle to aid lifting

Bottom gland plates included.



Door may be either right or left hand opening.

The mounting plate position can easily be adjusted in depth, in 12.5 mm steps, with the accessory MPGDA

Approvals and certifications.

MPC

Console system

Flexible console system, allows a versatile number of combinations to configure the system to your design. The top section and desk panels are held open by a self-engage/self-release mechanical panel stay and combines with the top removable rear panel and front door, to ensure convenient access. A range of 19" accessories adds further versatility. The MPC range is fully compatible with the stainless steel MPCS units, providing additional protection if required.



Technical data

IP 66/NEMA 4, 12, 13
IP 55/NEMA 12

Material: Body and door: 2.0mm mild steel. Rear panel 1.5mm mild steel. Bottom plates: 1.5 mm galvanised steel. Mounting plate: 2.5 mm galvanised steel.
Body: Folded and seam welded. Integrated plinth.
Doors and panels: Single folded surface mounted with hinges allowing left and right-hand opening to base door. Top section and desk panels held open by self engage/self release mechanical panel stays. Concealed hinges allowing 90° opening on the desk. Double doors on 1200 and 1600 mm wide base units.
Mounting plate: Standard in base unit. Fixed by fixing brackets on C rail, top and bottom for depth adjustment. Optional in desk and top section units.
Lock: DIN-locks with 3 mm pin for top section and desk unit. For base, two DIN-locks with 3 mm pin locks. Other options available, see wall mounting section.

Cable access: Bottom opening in base unit for cable access. Bottom plates for cable glanding supplied as standard.
Earthing: M8 threaded studs on bodies, doors and rear panels.
Finish: MPC: RAL7035 structure powder coating.
Protection: MPC single door: Corresponds with IP 66 and NEMA 4, 12 and 13.
 MPC double door: Corresponds with IP 55 and NEMA 12 and 13.
Delivery: The base unit is provided with a mounting plate as standard. Desk and top section units have mounting plates provided as accessories. All top and base apertures can be closed by choosing the appropriate accessory plate. Suitable nuts and washers for the various earthing studs are provided.



MPC, IP 66/NEMA 4, 12, 13 IP 55/NEMA 12

Top section units

Mild steel

H	W	D	Part No.
500	600	494	MPC061R5
	800	494	MPC081R5
	1000	494	MPC101R5
	1200	494	MPC121R5
	1600	494	MPC161R5

Desk units

Mild steel

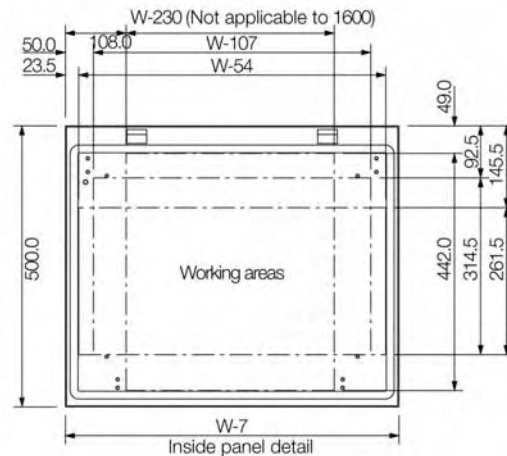
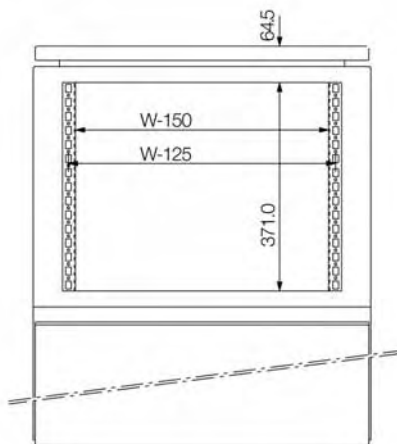
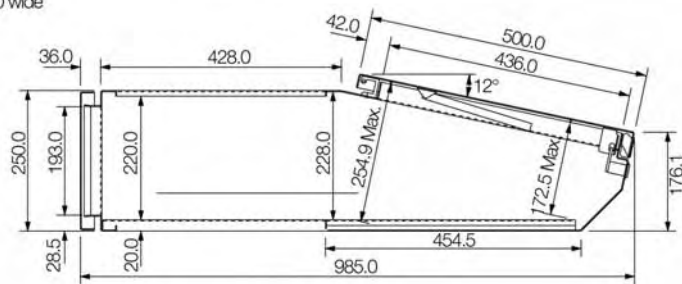
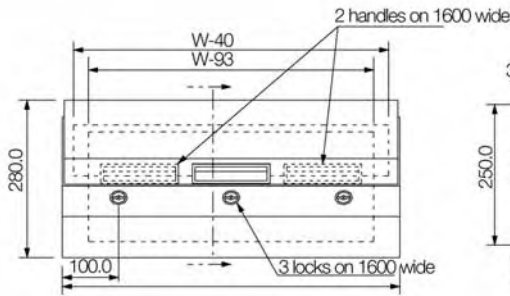
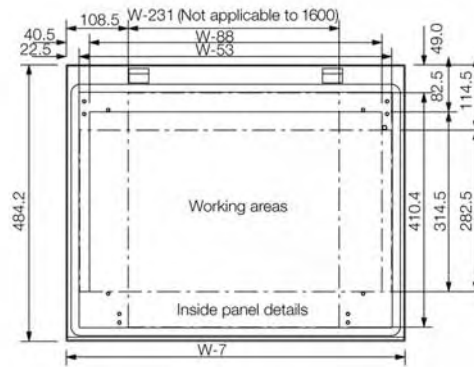
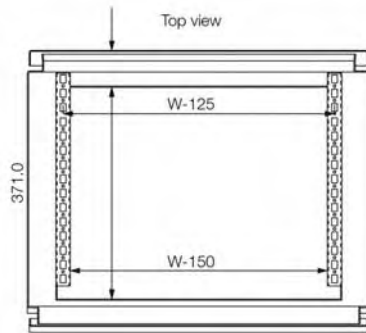
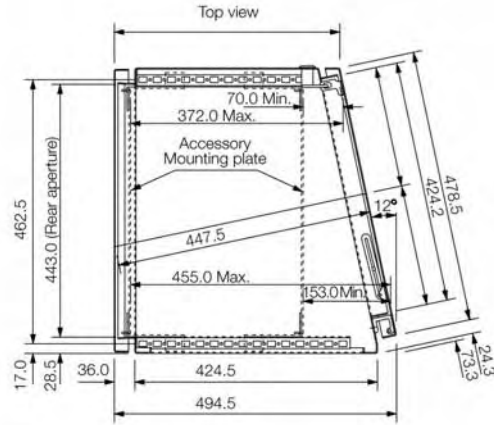
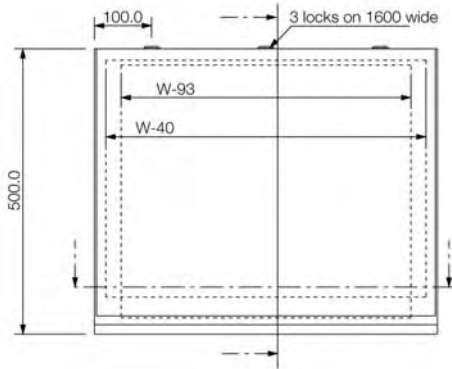
H	W	D	Part No.
250	600	985	MPC062R5
	800	985	MPC082R5
	1000	985	MPC102R5
	1200	985	MPC122R5
	1600	985	MPC162R5

Base units with mounting plate

Mild steel

H	W	D	h	w	Usable depth	Part No.
700	600	500	590	499	470,5	MPC063R5
	800	500	590	699	470,5	MPC083R5
	1000	500	590	899	470,5	MPC103R5
	1200	500	590	1099	470,5	MPC123R5
	1600	500	590	1499	470,5	MPC163R5

Dimensions



MPG

One-piece consoles in mild steel

The MPG simple but effective one-piece console is available in five sizes. The top desk panel is held open by a self-engage/self-release mechanical panel stay and combines with the removable rear panel and front door, to ensure convenient access. A range of 19" accessories adds further versatility.



IP 66/NEMA 4, 12, 13
IP 55/NEMA 12



Technical data

Material: MPG: Body and door: 1.5mm mild steel. Rear panel 1.5mm mild steel. Bottom plates 1.5mm galvanised steel. Mounting Plate 2.5mm galvanised steel.

Body: Folded and seam welded. Integrated plinth.

Doors and panels: Single folded surface mounted with hinges allowing left and right-hand opening to base door. Angle 15° from horizontal. Concealed hinges on top edge allow 80° opening. Panel held open by self engage/self release mechanical panel stay. Double doors on 1200 and 1600 mm wide base units.

Mounting plate: Standard mounting plate in base unit.

Cable inlet: Bottom opening for cable access. Bottom plate for cable glanding supplied as standard.

Lock: DIN-locks with 3 mm pin for top panel. For base, two DIN-locks with 3 mm pin locks. Other options available. See wall mounting section.

Earthing: M8 threaded studs on body, door, top panel and rear panel.

Finish: RAL7035 structure powder coating.

Protection: Single door: IP 66/NEMA 4, 12 13 Double doors: IP 55/NEMA 12 and 13.

Delivery: Mounting plate and suitable nuts and washers for earthing. The console is delivered on a wooden pallet.



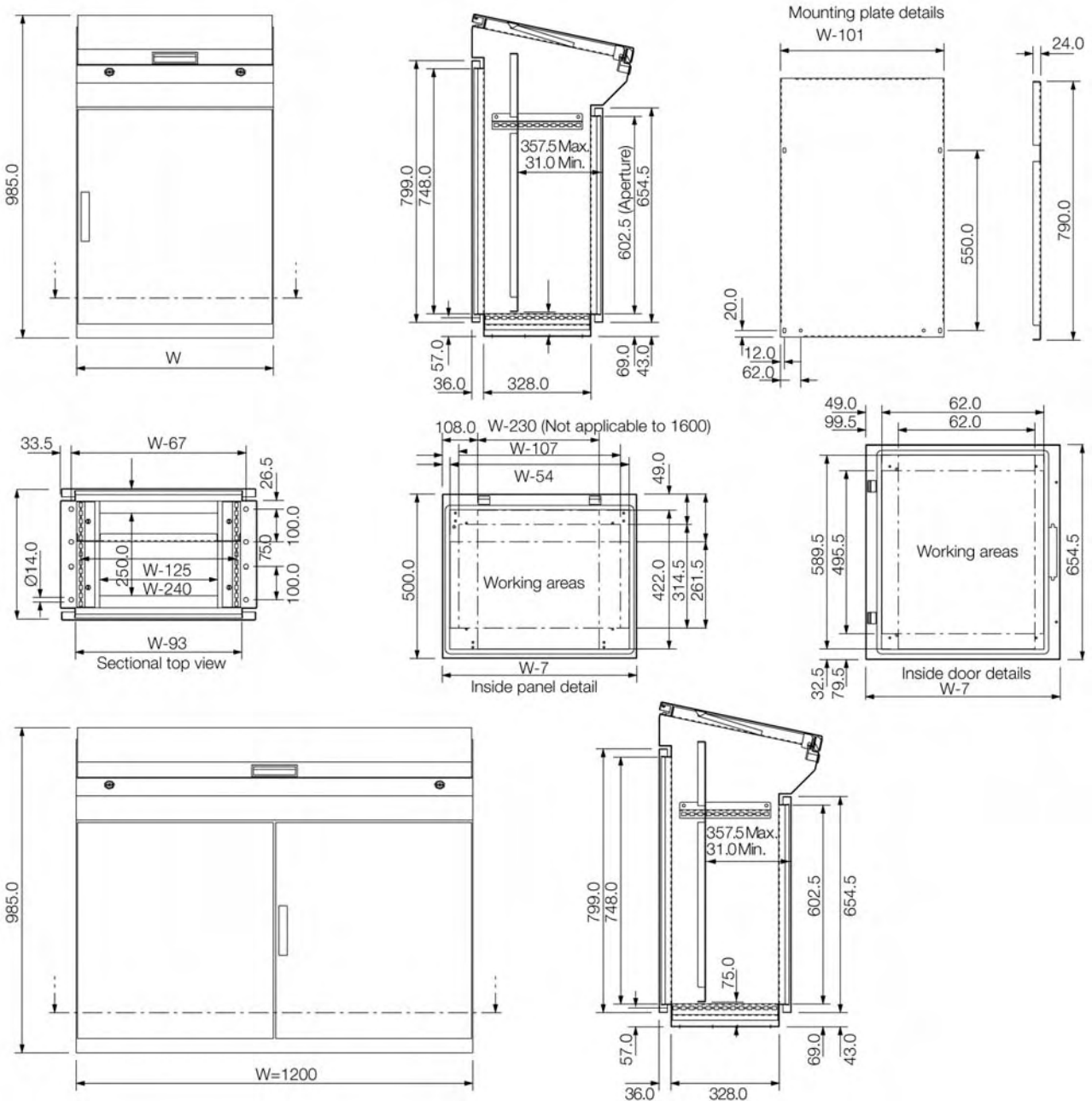
MPG, IP 66/NEMA 4, 12, 13

Mild steel

H	W	D	h	w	Usable depth	Part No.
985	600	400	790	499	357,5	MPG06R5
	800	400	790	699	357,5	MPG08R5
	1000	400	790	899	357,5	MPG10R5
	1200	400	790	1099	357,5	MPG12R5
	1600	400	790	1499	357,5	MPG16R5

Note: Only 1200 and 1600 wide consoles have double doors.

Dimensions





MPC, MPG accessories

PF, Front/rear Plinths



Description: Front and rear plinth sections. For cabling without any restrictions and in accordance with the VDE 0113 standard. The plinth consists of four corner pieces with removable front covers. The side panels PST are to be ordered separately. Produced in 100 mm and 200 mm heights. 200 mm high plinths are delivered with a rear cover for cabling that consists of two removable panels 100 mm high. The front cover is a one piece panel of 200 mm high. All panels have double returns on each panel for added strength.

Material: Corner pieces in 2 mm and panels in 1.5 mm mild steel.

Finish: RAL7022 structured powder coating.

Pack quantity: 1 set of 4 corner pieces including covers. Front and rear panel (2 rear panels for 200 mm, high plinths) with mounting accessories. Mounting accessories for side panels PS or transversal profiles PT.

Mounting requirement: When adding enclosures, it is recommended to add the side panels PST for a complete plinth. When combining enclosures add transversal panels PT for cable duct support and extra rigidity.

H	W	Part No.
100	400	PF1040
	600	PF1060
100	700	PF1070
	800	PF1080
	1000	PF1100
	1200	PF1120
100	1400	PF1140
	200	400
200		600
	700	PF2070
	800	PF2080
	1000	PF2100
	1200	PF2120
	200	1400

PST, Plinth Side panels



Description: Mounted directly to the cornerpieces.

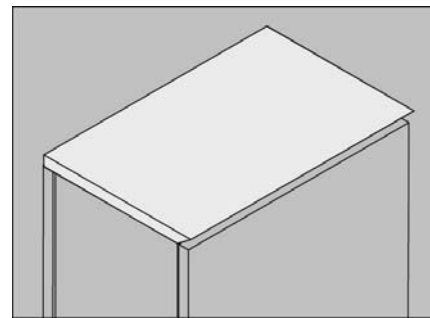
Material: 1.5 mm mild steel.

Finish: Structure powder paint, RAL 7022.

Pack quantity: 2 sidepanels, mounting accessories included in PF package.

H	D	Part No.
100	400	PST1040
	500	PST1050
	600	PST1060
	800	PST1080
200	400	PST2040
	500	PST2050
	600	PST2060
	800	PST2080

BDP, Cover plates



Description: Used to cover top opening of base or desk unit.

Material: 2 mm mild steel.

Finish: Structure powder paint, RAL 7035.

Pack quantity: 1 piece with mounting accessories.

W	Part No.
600	BDP06R5
800	BDP08R5
1000	BDP10R5
1200	BDP12R5
1600	BDP16R5



MPC, MPG accessories

MPLS, Stainless lid



Description: For replacing standard lid on MPC(S) desk unit or MPG(S) where hard wearing or corrosion resistance is required.

Material: 2 mm stainless steel.

W	P	Part No.
600	500	MPLS062
800	500	MPLS082
1000	500	MPLS102
1200	500	MPLS122
1600	500	MPLS162

BDPS, Cover plates



Description: Used to cover top openings of base, or desk units where hard wearing or corrosion resistance is required.

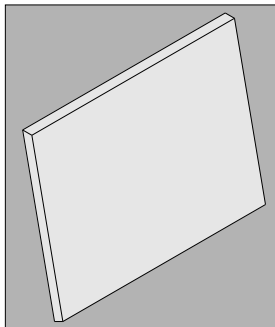
Material: 2 mm stainless steel.

Finish: 240s pre-grained.

Pack quantity: 1 piece with mounting accessories.

W	Part No.
600	BDPS06
800	BDPS08
1000	BDPS10
1200	BDPS12
1600	BDPS16

MPPS, Stainless panel

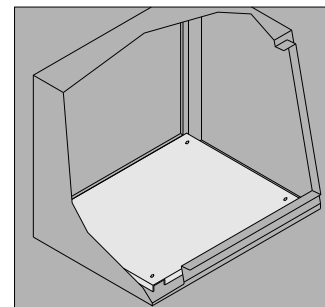


Description: For replacing standard panel on MPC(S) top section unit where hard wearing or corrosion resistance is required.

Material: 2 mm stainless steel.

H	W	Part No.
500	600	MPPS061
	800	MPPS081
	1000	MPPS101
	1200	MPPS121
	1600	MPPS161

SGPZ, Segregation plates



Description: Used to separate top section and desk unit. Can also be used as a mounting plate in desk.

Material: 3 mm zinc plated steel.

Pack quantity: 1 plate with mounting accessories.

W	Part No.
600	SGPZ06
800	SGPZ08
1000	SGPZ10
1200	SGPZ12
1600	SGPZ16

MPC, MPG accessories

DNN, Mounting angles (19")



Description: To achieve 19", or partial 19" in 800 mm, wide enclosures, these profiles can be mounted with the mounting brackets DNB or DNC. To achieve 19" in 600 mm, wide enclosures, use the brackets DND.
Material: 2 mm zinc plated steel.
Pack quantity: 2 pieces

H	N° of units	Part No.
	6	DNN06
	9	DNN09
	10	DNN10
	11	DNN11
	13	DNN13
	15	DNN15
	18	DNN18
	21	DNN21
	27	DNN27
	33	DNN33
1800	38	DNN38
2000	42	DNN42

MPGDA, Depth adjust kit



Description: To provide depth adjustment for mounting plate.
Material: 2mm galvanised steel.
Pack quantity: 1 set with mounting accessories.

Part No.
MPGDA01

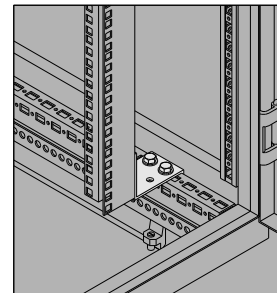
DND, Mounting angles (19") fixing brackets



Description: For fixing 482.6 mm, mounting brackets (19") in 600 mm, wide enclosures. Adjustable in depth in 12.5 mm, steps.
Material: 3 mm zinc plated mild steel.
Pack quantity: 4 brackets with mounting accessories.

Part No.
DND01

DNB, Mounting angles (19") brackets



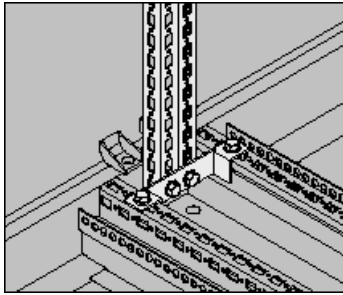
Description: For mounting 19" profiles in 800mm enclosures
Material: 3 mm zinc plated steel.
Pack quantity: 4 brackets with mounting accessories.

Part No.
DNB01



MPC, MPG accessories

MTD, Vertical dividing bar



Description: Profile with hole pattern to create a division in double door consoles for mounting equipment in half the width.
Material: 2 mm zinc plated steel.
Pack quantity: 1 pair

KMB/MPC, Vertical mounting profiles



Description: For console system and consoles . Vertical mounting profiles with 25 mm, hole pattern. When fitted into the frame all the relevant accessories can be used
Material: 2 mm zinc plated steel.
Pack quantity: 2 profiles including fixing material.



Part No.
MTD700

H	Part No.
700	KMB700