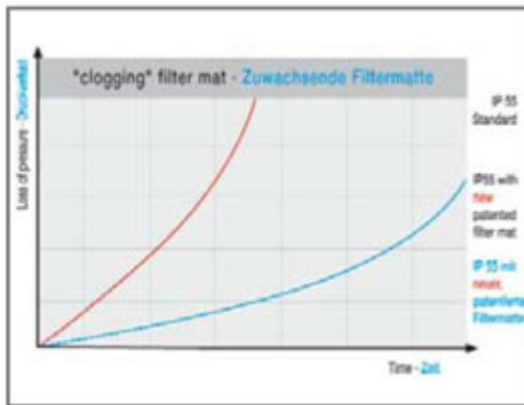


Num: Eldon_200712_17.2

New generation filter fan, EF

A new unique design, packed with innovative features

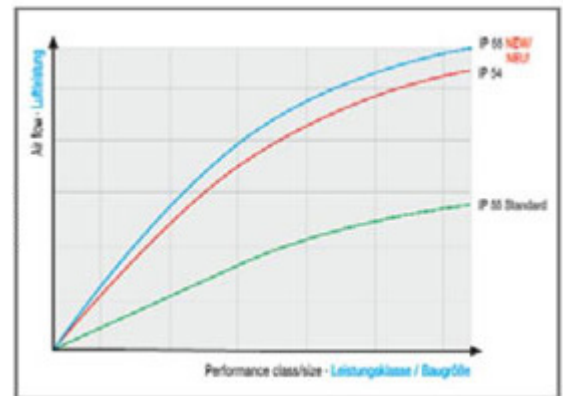
For effective cooling, a minimum air-flow volume is required. The air-flow volume decreases when the dust contamination of the filter increases. The new type of filter mat used (patent) assures a longer service life and thus increased service intervals. It saves both time and money.



An increase of airflow by more than 100% at the protection rating IP 55 is made possible by using the newly developed filter mat, designed especially for the most demanding ambient conditions such as dust, paper and cardboard fibers, oil mist, etc.



Contrary to the existing filter fan systems, the new Eldon solution does not provide any reduction of the air-flow but by means of a new patented filter-fan technology a significant increase in the IP 55 protection.



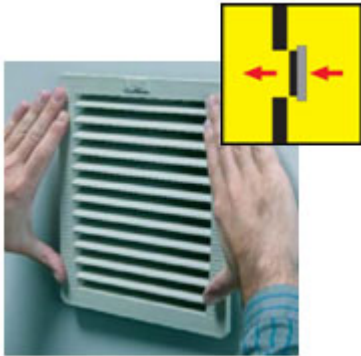
No tools required for assembly! The assembly does not require tools – mounting of the filter fans is completed without the need for screws. Saving time was never easier!



4-corner fastening system "click and fit!" This extremely safe mounting system is patented!

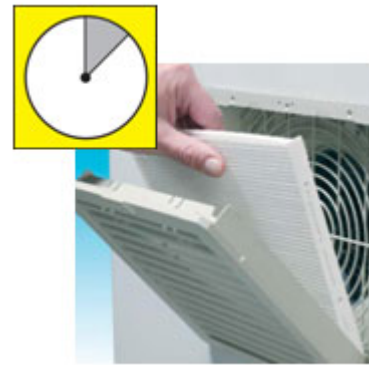


Num: Eldon_200712_17.2



Safe assembly and disassembly of the screw less mounting system –simply listen to the "click"!

enabling the easiest access in the market during the change of the filter mat!

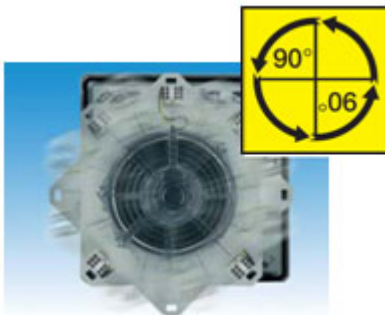


Quick change of the filter mat –the front cover can be opened



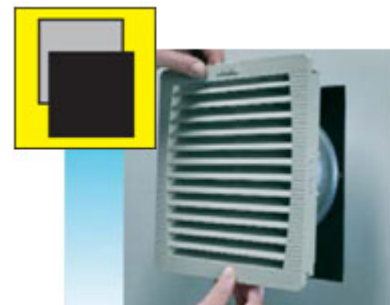
An easy change of airflow direction. Just click and fit!

An easy connection to power by clamps – it cannot be easier!

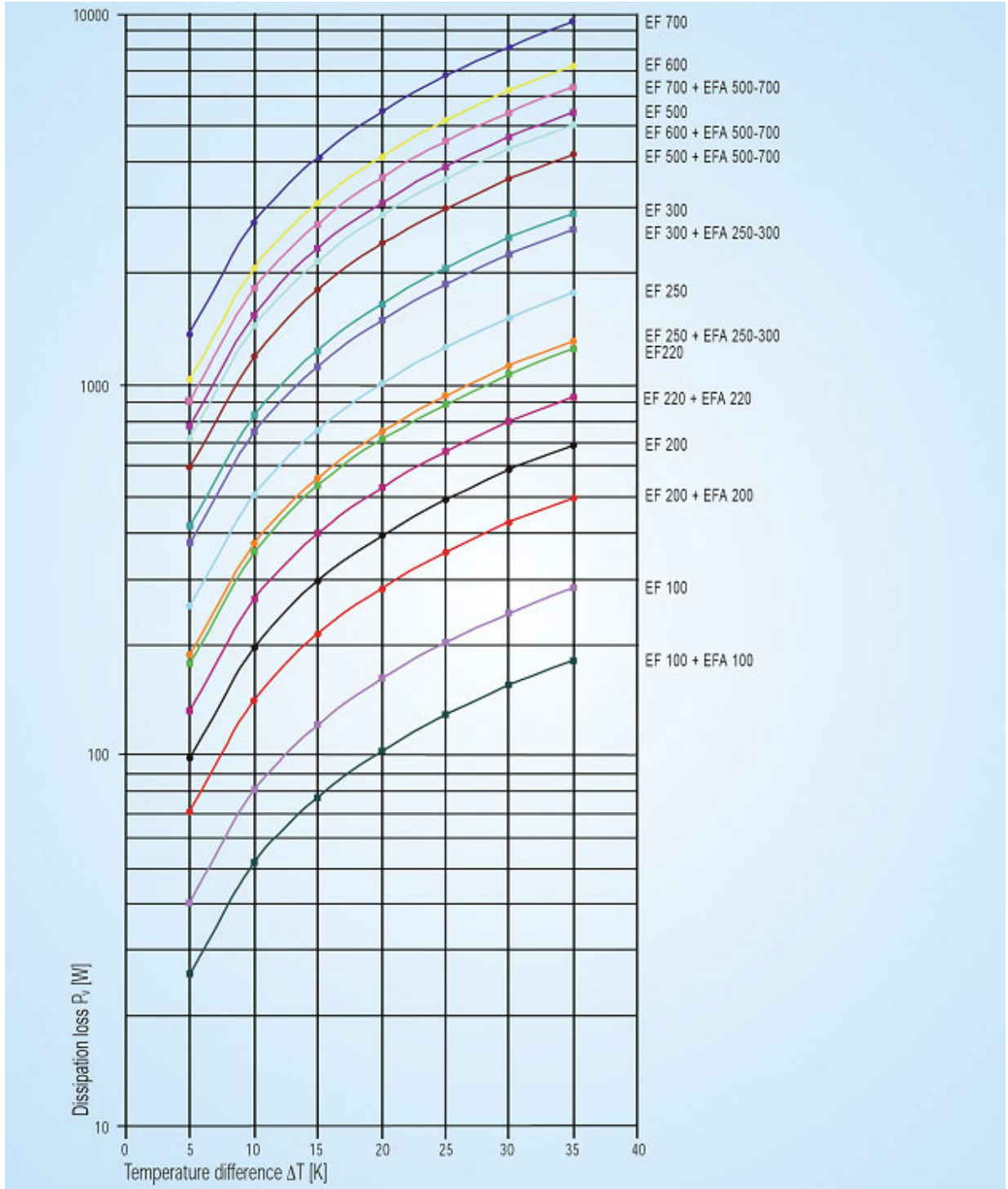


A variable connection position by 90 °step turns. The fan can be rotated in steps of 90°. Shorter wiring and optimized adaptation for electrical connection!

Fitting is compatible. Change to Eldon New Generation filter fan easily as all the cutouts are compatible with the previous generation!



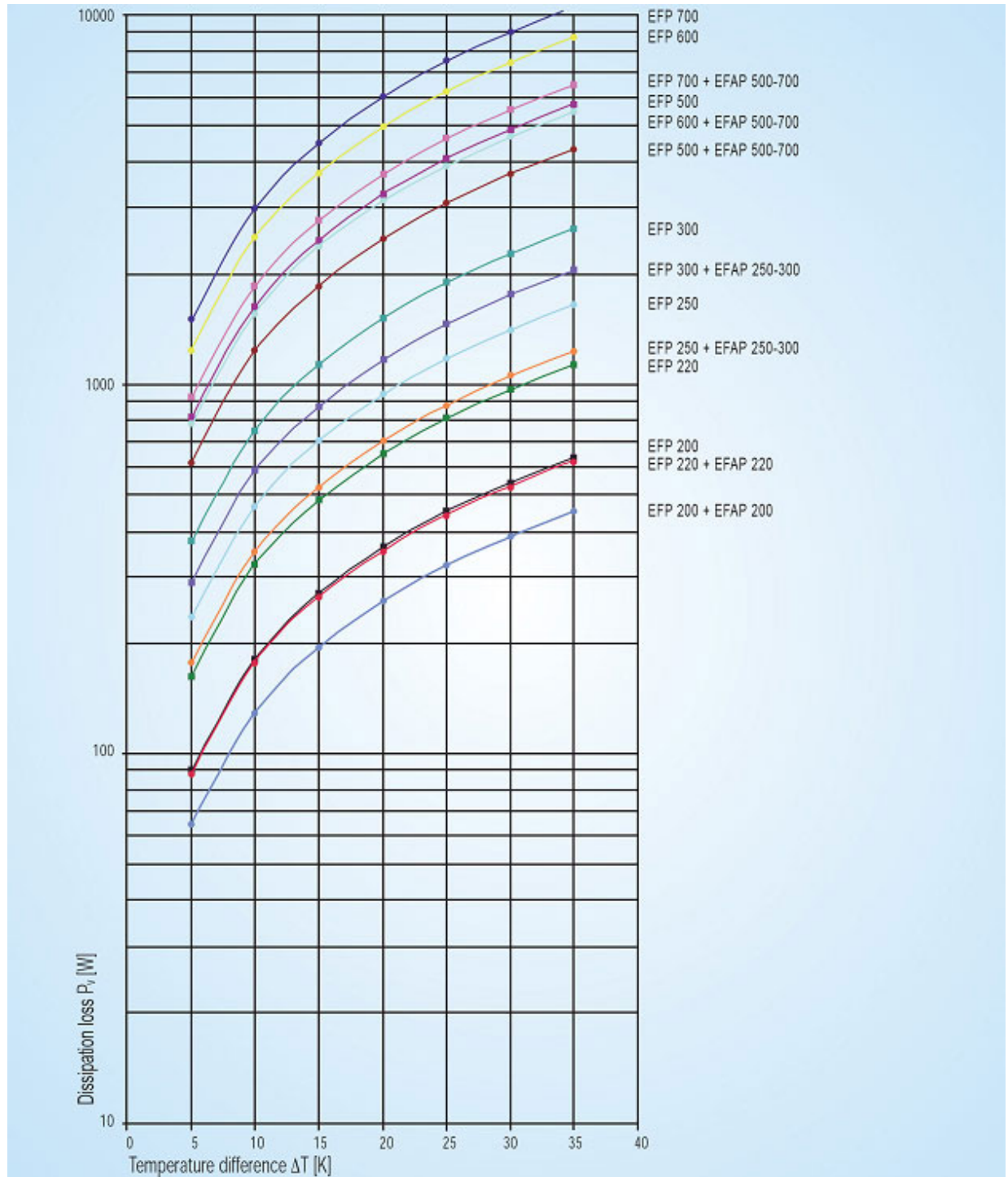
Performance selection diagram for EF filter fans IP54 according to temperature difference





Num: Eldon_200712_17.2

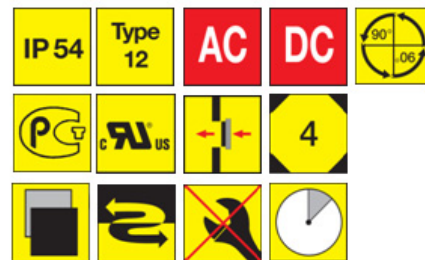
Performance selection diagram for EFP filterfans IP55 according to temperature difference



Num: Eldon_200712_17.2

EF100 Filterfan EFA100 Exhaust filter

For versatile incorporation into equipment, this filterfan is fitted for example in the medical industry, in EDV/IT equipment, warning and control enclosures and also for low power applications.



Airflow data	EF100	EFA100
Airflow capacity free flow	50Hz: 25 m ³ /h; 60Hz: 29 m ³ /h	-
Heat removal capacity free flow	8 W/K ; 10 W/K	-
Airflow when combined (filterfan + exhaust filter)	50Hz: 16 m ³ /h; 60Hz: 18 m ³ /h (EF100 + EFA100)	-
Heat removal capacity when combined (filterfan + exhaust filter)	5 W/K; 6 W/K (EF100 + EFA100)	-
Maximum static pressure (Airflow = 0 m ³ /h)	38 Pa	-
Filtration efficiency	88%	88%
Filter material grade	G3 (DIN EN 779)	G3 (DIN EN 779)
Duty cycle	100%	-
Noise level dB(A)	33	-

Technical data	EF100		EFA100
	AC	DC	
Outside dimensions in mm (H x W x installation depth)	109 x 109 x 62	109 x 109 x 49	109 x 109 x 19
Bearing type	sleeve bearing	ball bearing	-
Fitting position	vertical	any	any
Construction material	housing and guard of sprayed thermoplastic, self-extinguishing, UL94 VO		
Weight	0,55 kg	0,16 kg	0,06 kg
Protection rating	according to EN 60529		-
Colour	RAL7035 standard, RAL7032 or black on request		
Connection type	2 wires, length 310 mm		-

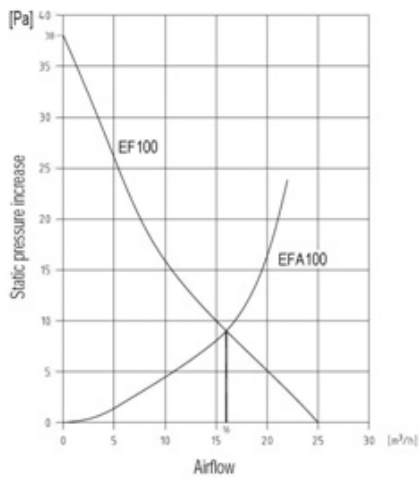
Electrical data	EF100	EF100-115	EF100-24	EF100-48
Rated voltage +/- 10%	230VAC; 50/60Hz	115VAC; 50/60Hz	24VDC	48VDC
Power consumption	12W/11W	12W/11W	2,4W	2,6W

All items are standard delivered in RAL7035. The article number is listed as EF100R5

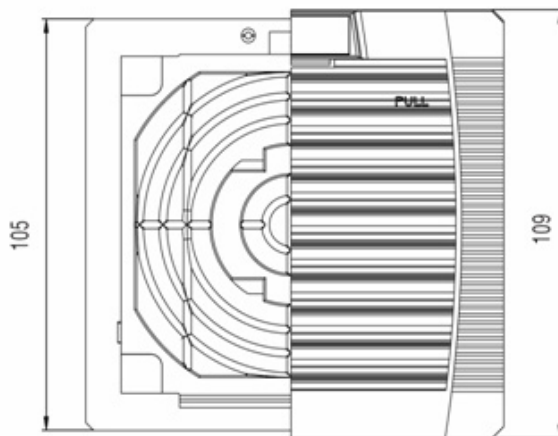
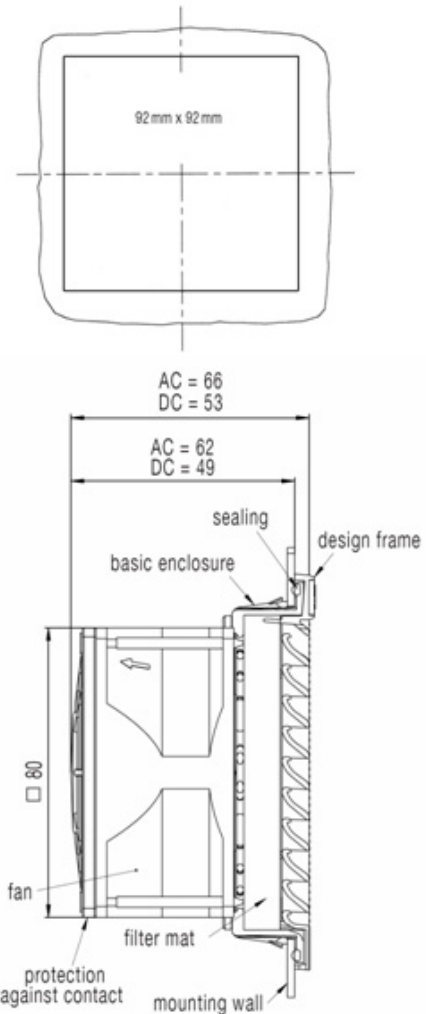
Num: Eldon_200712_17.2

Supplementary data	EF100 AC version	EF100 DC version	EFA 100
Operating temperature	-15°C (+ 5 °F) to +55°C (+ 131 °F)		
Storage temperature	- 20°C (- 4 °F) to +70°C (+ 158 °F)		
Max. relative humidity	90%		
Protection rating	IP54 (EN 60529), when used as recommended, not for outdoor-application		
Contents of delivery package	filter mat, user manual		
Accessories	radiant heater, fan heater, thermostat, hygostat		
Approvals	cUL approval, GOST		
Tolerances installation cutout	92 ⁺¹ / ₀ thickness of material to 2mm; 93 ⁺¹ / ₀ thickness of material > 2mm ≤3mm		

Air flow data:



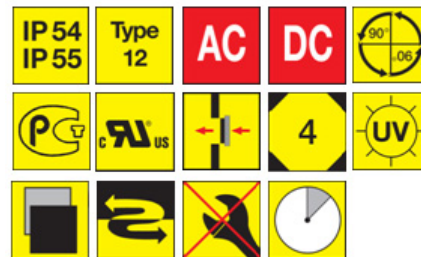
Cut-out dimension:



Num: Eldon_200712_17.2

EF(P)200 Filterfan EFA(P)200 Exhaust filter

For a broad range of applications in electronics as well as conventional switchgear installations; a wide range of operating voltages ensures universal use.



Airflow data	EF(P)200	EFA(P)200
Airflow capacity free flow	IP54: 61 m3/h; 50 Hz / 70 m3/h; 60 Hz - IP55: 56 m3/h; 50 Hz / 64 m3/h; 60 Hz	-
Heat removal capacity free flow	IP 54: 20 W/K / 23 W/K - IP 55: 19 W/K / 21 W/K	-
Airflow when combined (filterfan + exhaust filter)	IP54: 44 m3/h; 50 Hz / 52 m3/h; 60 Hz - IP55: 40 m3/h; 50 Hz / 46 m3/h; 60 Hz (EF(P)200 + EFA(P)200)	-
Heat removal capacity when combined (filterfan + exhaust filter)	IP54: 15 W/K / 17 W/K - IP55: 13 W/K / 15 W/K (EF(P)200 + EFA(P)200)	-
Maximum static pressure (Airflow = 0 m ³ /h)	IP 54: 60 Pa - IP55: 57 Pa	-
Filtration efficiency	IP54: 88% - IP 55: 91%	-
Filter material grade	IP 54: G 3 - IP 55: G 4 (DIN EN779)	-
Duty cycle	100%	-
Noise level dB(A)	44	-

IP55 versions have an added "P" behind EF: EFP/EFAP

Technical data	EF(P)200		EFA(P)200
	AC	DC	
Outside dimensions in mm (H x W x installation depth)	145 x 145 x 70	145 x 145 x 64	145 x 145 x 26
Bearing type	sleeve bearing	ball bearing	-
Fitting position	vertical	any	any
Construction material	housing and guard of sprayed thermoplastic, self-extinguishing, UL94 VO; IP55 UV resistant		-
Weight	0,7 kg	0,44 kg	0,12 kg
Protection rating	according to DIN 31001		-
Colour	RAL7035 standard, RAL7032 or black on request		-
Connection type	Terminal strip	2 wires, length 310mm	-

Electrical data	EF(P)200	EF(P)200-115	EF(P)200-24	EF(P)200-48
Rated voltage +/- 10%	230VAC; 50/60Hz	115VAC; 50/60Hz	24VDC	48VDC
Power consumption	19W/18W	20W/20W	5W	5W

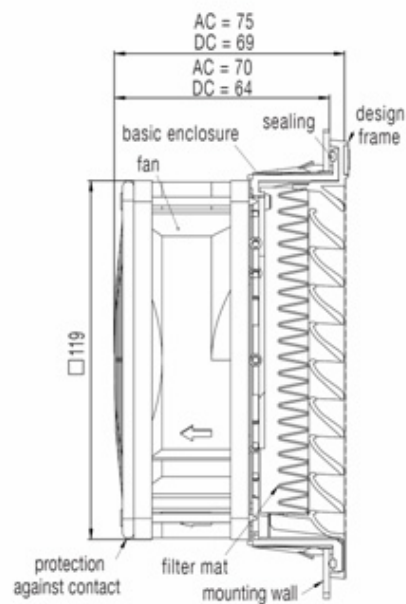
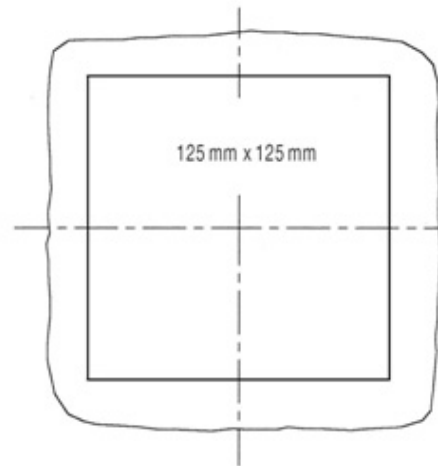
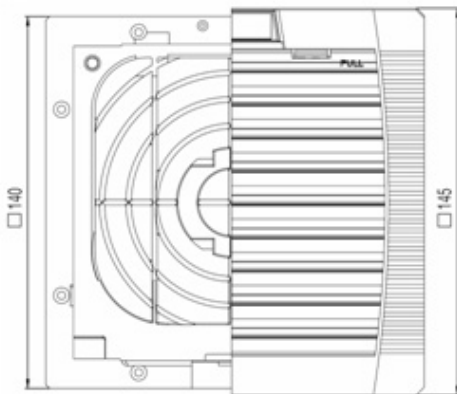
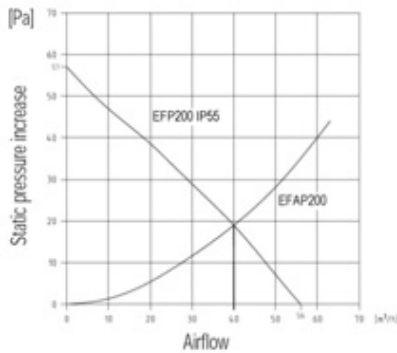
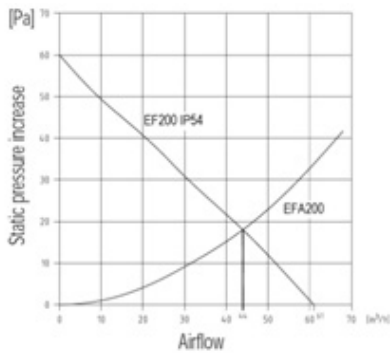
All items are standard delivered in RAL7035. The article number is listed as EF(P)200R5

Num: Eldon_200712_17.2

Supplementary data	EF(P)200 AC version	EF(P)200 DC version	EFA(P)200
Operating temperature	-15°C (+ 5 °F) to +55°C (+ 131 °F)		
Storage temperature	- 20°C (- 4 °F) to +70°C (+ 158 °F)		
Max. relative humidity	90%		
Protection rating	IP 54 or IP55 (EN 60529), when installed as specified		
Contents of delivery package	filter mat, user manual		
Accessories	radiant heater, fan heater, thermostat, hygrostat		
Approvals	cUL approval, GOST		
Tolerances installation cutout	125 ⁺¹ / ₀ thickness of material to 2mm; 126 ⁺¹ / ₀ thickness of material > 2mm ≤3mm		

Air flow data:

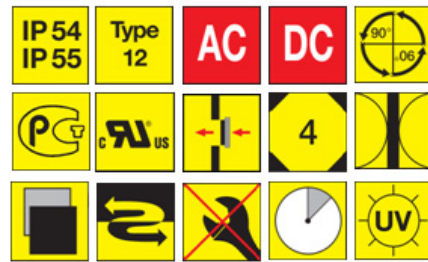
Cut out dimensions:



Num: Eldon_200712_17.2

EF(P)220 Filterfan EFA(P)220 Exhaust filter

A new dimension added to the range of filterfans to optimize cooling capacity and available space.



Airflow data	EF(P)220	EFA(P)220
Airflow capacity free flow	IP54: 110 m ³ /h; 50 Hz / 125 m ³ /h; 60 Hz - IP55: 100 m ³ /h; 50 Hz / 110 m ³ /h; 60 Hz	-
Heat removal capacity free flow	IP54: 37 W/K / 42 W/K - IP55: 33 W/K / 37 W/K	-
Airflow when combined (filterfan + exhaust filter)	IP54: 82 m ³ /h; 50 Hz / 93 m ³ /h; 60 Hz - IP55: 55 m ³ /h; 50 Hz / 64 m ³ /h; 60 Hz (EF(P)220 + EFA(P)220)	-
Heat removal capacity when combined (filterfan + exhaust filter)	IP54: 27 W/K / 31 W/K - IP55: 18 W/K / 21 W/K (EF(P)220 + EFA(P)220)	-
Maximum static pressure (Airflow = 0 m ³ /h)	IP 54: 66 Pa - IP55: 61 Pa	-
Filtration efficiency	IP54: 88% - IP 55: 91%	-
Filter material grade	IP 54: G 3 - IP 55: G 4 (DIN EN779)	-
Duty cycle	100%	-
Noise level dB(A)	40	-

IP55 versions have an added "P" behind EF: EFP/EFAP

Technical data	EF(P)220		EFA(P)220
	AC	DC	
Outside dimensions in mm (H x W x installation depth)	202 x 202 x 87	202 x 202 x 81	202 x 202 x 34
Bearing type	sleeve bearing	ball bearing	-
Fitting position	vertical	any	any
Construction material	housing and guard of sprayed thermoplastic, self-extinguishing, UL94 VO; IP55 UV resistant		
Weight	0,87 kg	0,61 kg	0,26kg
Protection rating	according to DIN 31001		
Colour	RAL7035 standard, RAL7032 or black on request		
Connection type	cage clamp	cage clamp	-

Electrical data	EF(P)220	EF(P)220-115	EF(P)220-24	EF(P)220-48
Rated voltage +/- 10%	230VAC; 50/60Hz	115VAC; 50/60Hz	24VDC	48VDC
Power consumption	19W/18W	20W/20W	5W	5W

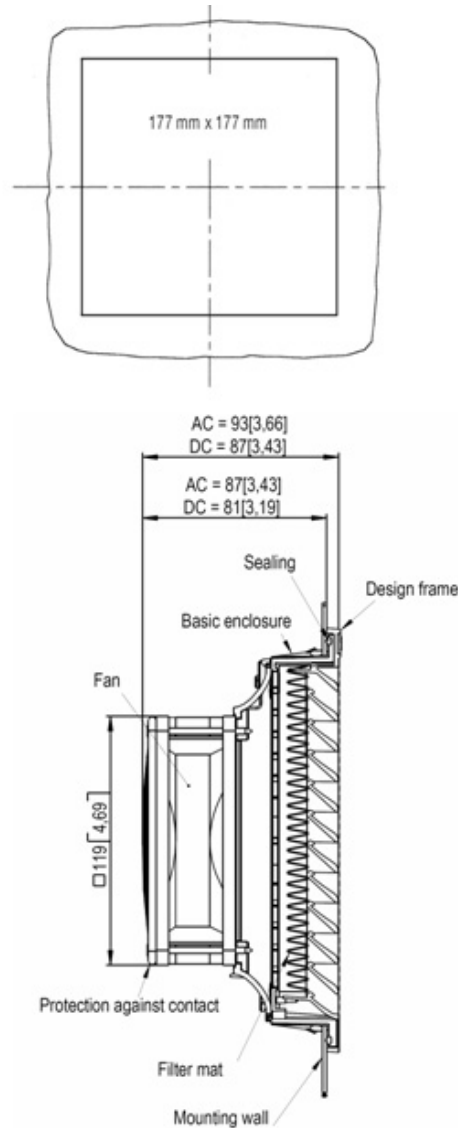
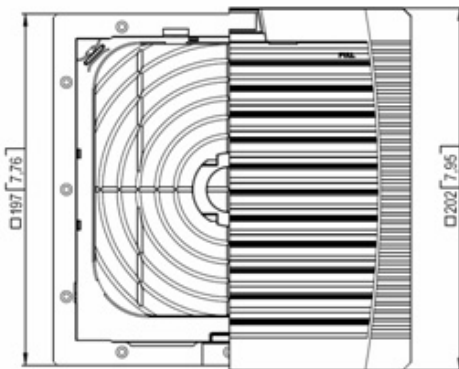
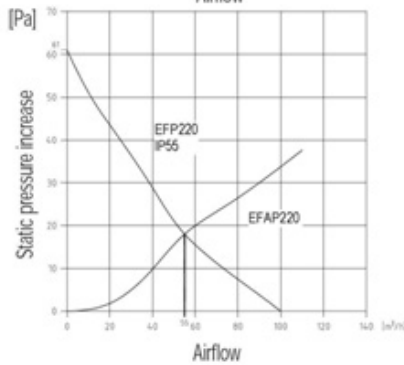
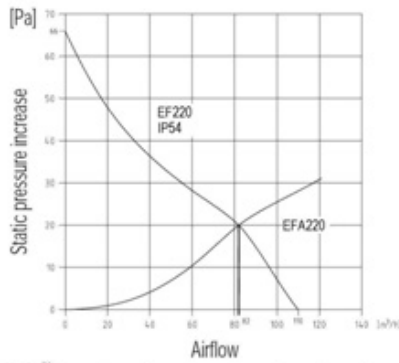
All items are standard delivered in RAL7035. The article number is listed as EF(P)220R5

Num: Eldon_200712_17.2

Supplementary data	EF(P)220 AC version	EF(P)220 DC version	EFA(P)220
Operating temperature	-15°C (+ 5 °F) to +55°C (+ 131 °F)		
Storage temperature	- 20°C (- 4 °F) to +70°C (+ 158 °F)		
Max. relative humidity	90%		
Protection rating	IP 54 or IP55 (EN 60529), when installed as specified		
Contents of delivery package	filter mat, user manual		
Accessories	radiant heater, fan heater, thermostat, hygrostat		
Approvals	cUL approval, GOST		
Tolerances installation cutout	177 ⁺¹ / ₀ thickness of material to 2mm; 178 ⁺¹ / ₀ thickness of material > 2mm ≤3mm		

Air flow data:

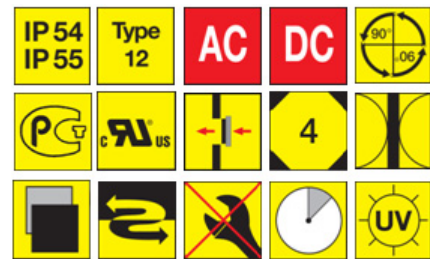
Cut out dimensions:



Num: Eldon_200712_17.2

EF(P)250-EF(P)300 Filterfan EFA(P)250-300 Exhaust filter

For optimum flexibility to suit medium range applications in plant and machine equipment. Two levels of capacity in one single installation cutout.



Airflow data	EF(P)250	EF(P)300	EFA(P) 250-300
Airflow capacity free flow	IP 54: 156 m ³ /h; 50 Hz / 171 m ³ /h; 60 Hz IP55: 145 m ³ /h; 50 Hz / 160 m ³ /h; 60 Hz	IP 54: 256 m ³ /h; 50 Hz / 292 m ³ /h; 60 Hz IP55: 233 m ³ /h; 50 Hz / 265 m ³ /h; 60 Hz	-
Heat removal capacity free flow	IP54: 52 W/K / 57 W/K IP55: 48 W/K / 53 W/K	IP54: 85 W/K / 97 W/K IP55: 78 W/K / 88 W/K	-
Airflow when combined (filterfan + exhaust filter)	IP54: 116 m ³ /h; 50 Hz / 127 m ³ /h; 60 Hz IP55: 109 m ³ /h; 50 Hz / 113 m ³ /h; 60 Hz (EF(P)250 + EFA(P)250-300)	IP54: 231 m ³ /h; 50 Hz / 265 m ³ /h; 60 Hz IP55: 180 m ³ /h; 50 Hz / 207 m ³ /h; 60 Hz (EF(P)300 + EFA(P)250-300)	-
Heat removal capacity when combined (filterfan + exhaust filter)	IP54: 27 W/K / 31 W/K IP55: 18 W/K / 21 W/K (EF(P)250 + EFA(P)250-300)	IP54: 77 W/K / 88 W/K IP55: 60 W/K / 69 W/K (EF(P)300 + EFA(P)250-300)	-
Maximum static pressure (Airflow = 0 m ³ /h)	IP 54: 52 Pa - IP55: 49 Pa	IP 54: 116 Pa - IP55: 112 Pa	-
Filtration efficiency	IP54: 88% - IP 55: 91%		
Filter material grade	IP 54: G 3 - IP 55: G 4 (DIN EN779)		
Duty cycle	100%		-
Noise level dB(A)	40	42	-

IP55 versions have an added "P" behind EF: EFP/EFAP

Technical data	EF(P)250		EF(P)300		EFA(P) 250-300
	AC	DC	AC	DC	
Outside dimensions in mm (H x W x installation depth)	252 x 252 x 97		252 x 252 x 113	252 x 252 x 97	252 x 252 x 113
Bearing type	ball bearing				
Fitting position	Any, horizontal airflow preferred				any
Construction material	housing and guard of sprayed thermoplastic, self-extinguishing, UL94 VO; IP55 UV resistant				
Weight	1,18 kg	0,92 kg	1,67 kg	1,51 kg	0,46 kg
Protection rating	according to DIN 31001				
Colour	RAL7035 standard, RAL7032 or black on request				
Connection type	cage clamp				

Electrical data	EF(P)250	EF(P)250-115	EF(P)250-24	EF(P)250-48
Rated voltage +/- 10%	230VAC; 50/60Hz	115VAC; 50/60Hz	24VDC	48VDC
Power consumption	19W/18W	20W/20W	4,7W	4,6W

Num: Eldon_200712_17.2

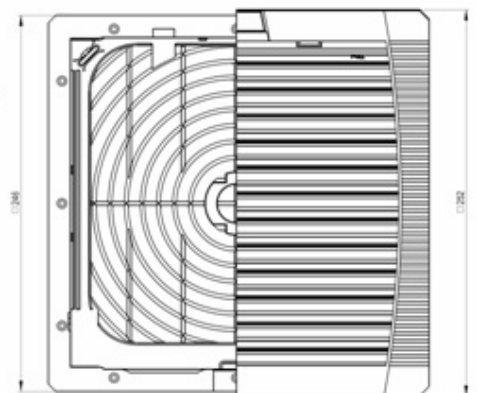
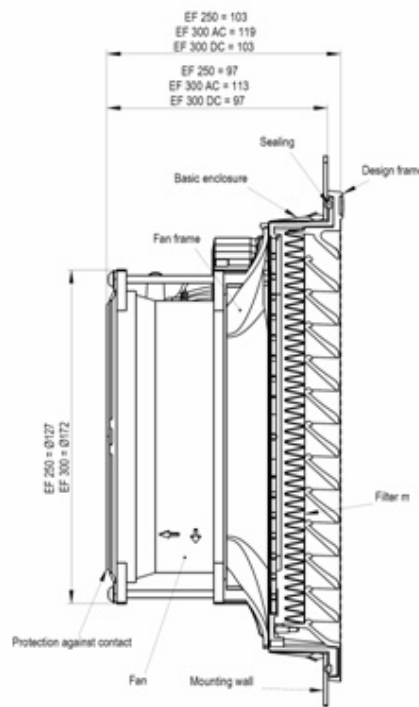
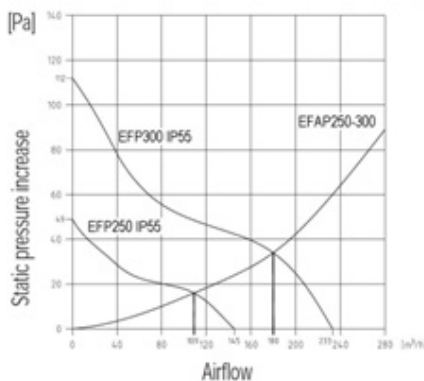
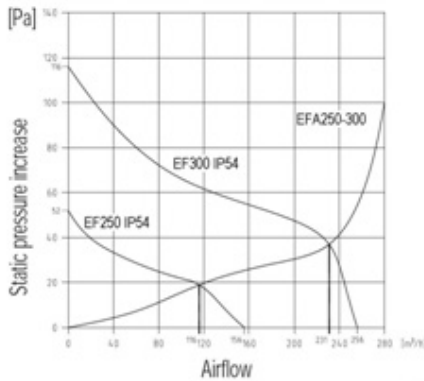
Electrical data	EF(P)300-400	EF(P)300	EF(P)300-115	EF(P)300-24	EF(P)300-48
Rated voltage +/- 10%	400 V2~	230VAC; 50/60Hz	115VAC; 50/60Hz	24VDC	48VDC
Power consumption	41W/ 38W	19W/18W	20W/20W	12W	12W

Supplementary data	EF(P)250/300 AC/DC version	EFA(P)250-300
Operating temperature	-15°C (+ 5 °F) to +55°C (+ 131 °F)	
Storage temperature	- 20°C (- 4 °F) to +70°C (+ 158 °F)	
Max. relative humidity	90%	
Protection rating	IP 54 or IP55 (EN 60529), when installed as specified	
Contents of delivery package	filter mat, user manual	
Accessories	radiant heater, fan heater, thermostat, hygrostat	
Approvals	cUL approval, GOST	
Tolerances installation cutout	223 ⁺¹ / ₀ thickness of material to 2mm; 224 ⁺¹ / ₀ thickness of material > 2mm ≤3mm	

All items are standard delivered in RAL7035. The article number is listed as EF(P)250R5

Air flow data:

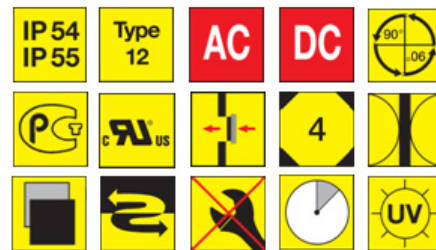
Cut out dimensions:



Num: Eldon_200712_17.2

EF(P)500-EF(P)600-EF(P)700 Filterfan EFA(P)500-700 Exhaust filter

For optimum flexibility to suit large switchgear installations where extreme heat extraction is needed whilst maintaining the required IP rating. Three levels of capacity in one single installation cutout.



Airflow data	EF(P)500	EF(P)600	EF(P)700	EFA(P)500-700
Airflow capacity free flow	IP 54: 480 m ³ /h; 50 Hz / 80 m ³ /h; 60Hz IP55: 505 m ³ /h; 50 Hz / 505 m ³ /h; 60Hz	IP 54: 640 m ³ /h; 50 Hz / 653 m ³ /h; 60Hz IP55: 770 m ³ /h; 50 Hz / 785 m ³ /h; 60Hz	IP 54: 845 m ³ /h; 50 Hz / 875 m ³ /h; 60Hz IP55: 925 m ³ /h; 50 Hz / 950 m ³ /h; 60Hz	-
Heat removal capacity free flow	IP54: 52 W/K / 57 W/K IP55: 48 W/K / 53 W/K	IP54: 85 W/K / 97 W/K IP55: 78 W/K / 88 W/K	IP54: 85 W/K / 97 W/K IP55: 78 W/K / 88 W/K	-
Airflow when combined (filterfan + exhaust filter)	IP54: 370 m ³ /h; 50 Hz / 370 m ³ /h; 60Hz IP55: 380 m ³ /h; 50 Hz / 380 m ³ /h; 60Hz (EF(P)500 + EFA(P)500-700)	IP54: 445 m ³ /h; 50 Hz / 445 m ³ /h; 60Hz IP55: 490 m ³ /h; 50 Hz / 501 m ³ /h; 60Hz (EF(P)600 + EFA(P)500-700)	IP54: 560 m ³ /h; 50 Hz / 625 m ³ /h; 60Hz IP55: 570 m ³ /h; 50 Hz / 625 m ³ /h; 60Hz (EF(P)700 + EFA(P)500-700)	-
Heat removal capacity when combined (filterfan + exhaust filter)	IP54: 27 W/K / 31 W/K IP55: 18 W/K / 21 W/K (EF(P)500 + EFA(P)500-700)	IP54: 77 W/K / 88 W/K IP55: 60 W/K / 69 W/K (EF(P)600 + EFA(P)500-700)	IP54: 77 W/K / 88 W/K IP55: 60 W/K / 69 W/K (EF(P)700 + EFA(P)500-700)	-
Maximum static pressure (Airflow = 0 m ³ /h)	IP 54: 52 Pa - IP55: 49 Pa	IP 54: 116 Pa - IP55: 112 Pa	IP 54: 116 Pa - IP55: 112 Pa	-
Filtration efficiency	91%			91%
Filter material grade	G4 (DIN EN 779)			
Duty cycle	100%			
Noise level	54	63	66	-

IP55 versions have an added "P" behind EF: EFP/EFAP

Technical data	EF(P)500	EF(P)600	EF(P)700	EFA(P)500-700
Outside dimensions in mm (H x W x installation depth)	320 x 320 x 150	320 x 320 x 150	320 x 320 x 150	320 x 320 x 39
Bearing type	ball bearing			-
Fitting position	any, horizontal airflow preferred		any	
Construction material	housing and guard of sprayed thermoplastic, self-extinguishing, UL94 VO; IP55 UV resistant			
Weight	3,2 kg	3,2 kg	3,7 kg	0,7 kg
Protection rating	according to DIN 31001			
Colour	RAL7035 standard, RAL7032 or black on request			
Connection type	cage clamp			-

Electrical data	EF(P)500	EF(P)500-115	EF(P)600	EF(P)600-115	EF(P)700	EF(P)700-115
Rated voltage +/- 10%	230VAC; 50/60Hz	115VAC; 50/60Hz	230VAC; 50/60Hz	115VAC; 50/60Hz	230VAC; 50/60Hz	115VAC; 50/60Hz
Power consumption	115W/150W	75W/90W	115W/150W	110W/160W	169W/232W	140W/195W

Num: Eldon_200712_17.2

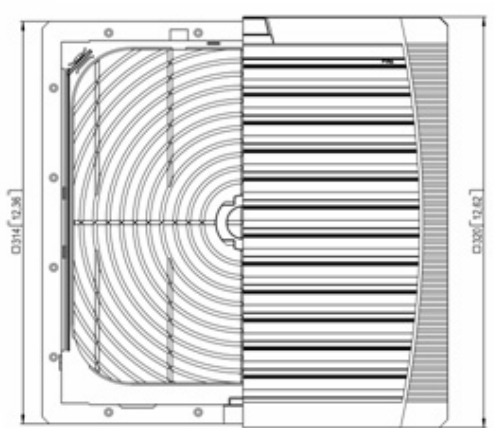
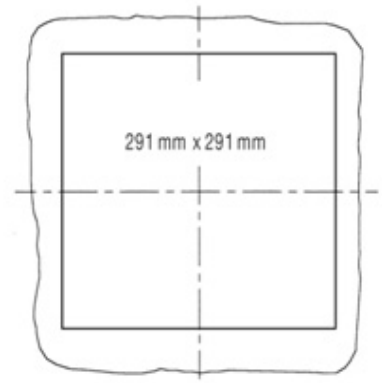
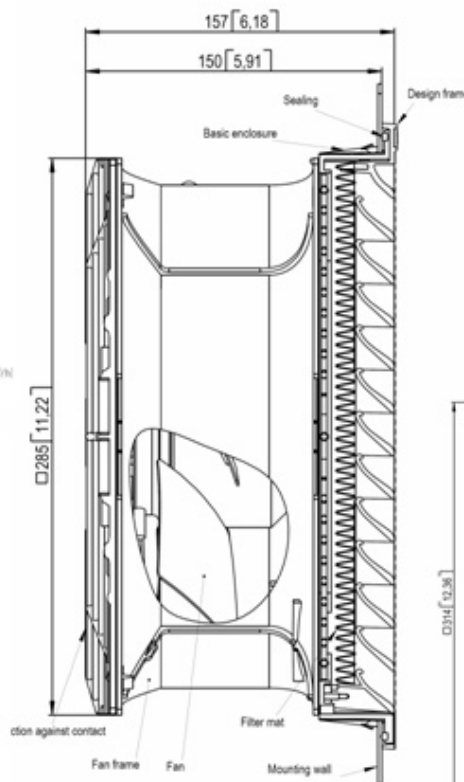
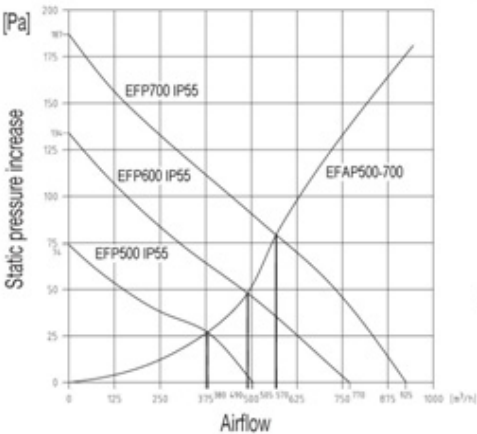
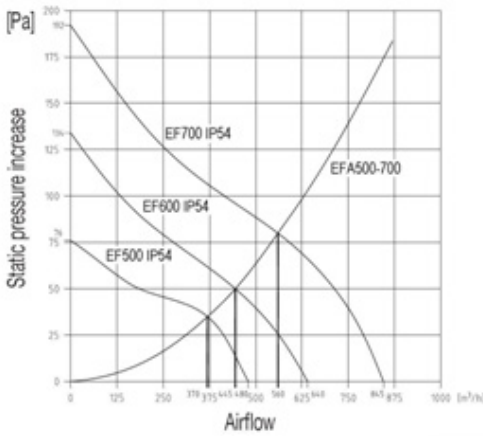
400 VAC/460VAC versions available on request.

Supplementary data	EF(P)500/600/700 AC	EFA(P)250-300
Operating temperature	-15°C (+ 5 °F) to +55°C (+ 131 °F)	
Storage temperature	- 20°C (- 4 °F) to +70°C (+ 158 °F)	
Max. relative humidity	90%	
Protection rating	IP 54 or IP55 (EN 60529), when installed as specified	
Contents of delivery package	filter mat, user manual	
Accessories	radiant heater, fan heater, thermostat, hygrostat	
Approvals	cUL approval, GOST	
Tolerances installation cutout	291 ⁺¹ / ₀ thickness of material to 2mm; 292 ⁺¹ / ₀ thickness of material > 2mm ≤3mm	

All items are standard delivered in RAL7035. The article number is listed as EF(P)500R5

Air flow data:

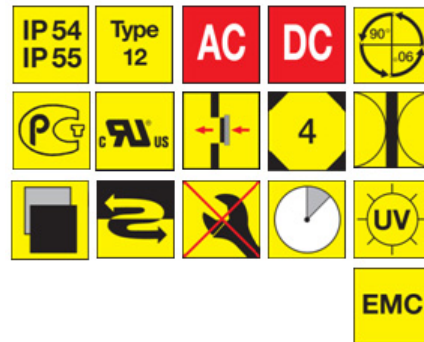
Cut out dimensions:



Num: Eldon_200712_17.2

EFE(P)100 – EFE(P)700 Filterfan EMC-shielded EFAE(P)100 – EFAE(P)500-700 Exhaust filter EMC-shielded

When filterfans are used for cooling, it is necessary to include openings in the enclosure. Holes allow the electromagnetic waves to pass in and out unimpeded. Eldon has the solution: the widest range of EMC-shielded filterfans. At an air volume flow of 25m³/h to 845m³/h you will always find the most suitable combination of EMC-shielded filterfans/exhaust filters to suit your application.



EMC Shielded filterfans IP54

Type	EFE100	EFE200	EFE220	EFE250	EFE300	EFE500	EFE600	EFE700
Airflow free flow m ³ /h	25	61	110	156	256	480	640	845
Heat removing capacity	8 W/K	20 W/K	37 W/k	52 W/K	85 W/K	160 W/K	213 W/K	282 W/K
Airflow combined with exhaust filter m ³ /h	16	44	82	116	231	370	445	560
Heat removing capacity combined with exhaust filter	5 W/K	15 W/K	27 W/K	39 W/K	77 W/K	123 W/K	148 W/K	187 W/K
Type of filter	IP 54 filtermat G3					IP 54 filtermat G4		
Maximum static pressure	38 Pa	60 Pa	66 Pa	52 Pa	116 Pa	76 Pa	134 Pa	192 Pa

Capacity listed at 50 Hz

EMC Shielded filterfans IP55

Type	EFEP200	EFEP220	EFEP250	EFEP300	EFEP500	EFEP600	EFEP700
Airflow free flow m ³ /h	56	100	145	233	505	770	925
Heat removing capacity	19 W/K	33 W/k	48 W/K	78 W/K	168 W/K	257 W/K	308 W/K
Airflow combined with exhaust filter m ³ /h	40	55	109	180	380	490	570
Heat removing capacity combined with exhaust filter	13 W/K	18 W/K	37 W/K	60 W/K	113 W/K	147 W/K	190 W/K
Type of filter	IP 55 fluted filter G4						
Maximum static pressure	57 Pa	61 Pa	49 Pa	112 Pa	74 Pa	134 Pa	187 Pa

Capacity listed at 50 Hz



Thermal Management: Filter Fans data sheet

Num: Eldon_200712_17.2

EMC shielded filterfans IP54/IP55

Type	EFE(P)100	EFE(P)200	EFE(P)220	EFE(P)250	EFE(P)300	EFE(P)500	EFE(P)600	EFE(P)700
Rated voltage available AC	230V, 115V	230V, 115V	230V, 115V	230V, 115V	230V, 115V, 400V2~	230V, 115V	230V, 115V, 3x400V	230V, 115V, 3x400V
Rated voltage available DC	24V, 48V	24V, 48V	24V, 48V	24V, 48V	24V, 48V			
H x W (mm)	109 x109	145 x 145	202 x 202	252 x 252	252 x 252	320 x 320	320 x 320	320 x 320
Installation depth (mm)	AC: 62/DC: 49	AC: 70/DC: 64	AC: 87/DC: 81	AC/DC: 97	AC: 113/DC: 97	AC: 150	AC: 150	AC: 150
Cutout dimension (mm)	93 ^{+0,5} / _{-0,5}	126,5 ^{+0,5} / _{-0,5}	178 ^{+0,5} / _{-0,5}	224 ^{+0,5} / _{-0,5}	224 ^{+0,5} / _{-0,5}	292 ^{+0,5} / _{-0,5}	292 ^{+0,5} / _{-0,5}	292 ^{+0,5} / _{-0,5}
Operation temperature	-15°C (+ 5 °F) to / bis + 55°C (+ 131 °F)							
Storage temperature	-20°C (- 4 °F) to / bis +70°C (+ 58 °F)							
Material	thermoplastic, self-extinguishing UL 94 VO, IP 55: UV resistant							
EMC Shielding	stainless steel							
Approvals	cUL approval, Gost							

EMC shielded exhaust filter IP54/IP55

Type	EFAE(P)100	EFAE(P)200	EFAE(P)220	EFAE(P)250-300	EFAE(P)500-700
H x W x Installation depth (mm)	109 x 109 x 19	145 x 145 x 26	202 x 202 x 34	252 x 252 x 38	320 x 320 x 39
Cut-out dimension (mm)	93 ^{+0,5} / _{-0,5}	126,5 ^{+0,5} / _{-0,5}	178 ^{+0,5} / _{-0,5}	224 ^{+0,5} / _{-0,5}	292 ^{+0,5} / _{-0,5}
Material	Thermoplastic, self extinguishing UL 94 VO, IP55: UV resistant				
EMC shielding material	Stainless steel				

Our EMC-shielded filter fans affect the EMC shielding of your enclosure as follows:

- up to 300 MHz: no effect
- 300 MHz – 1GHz: approx.10dB less